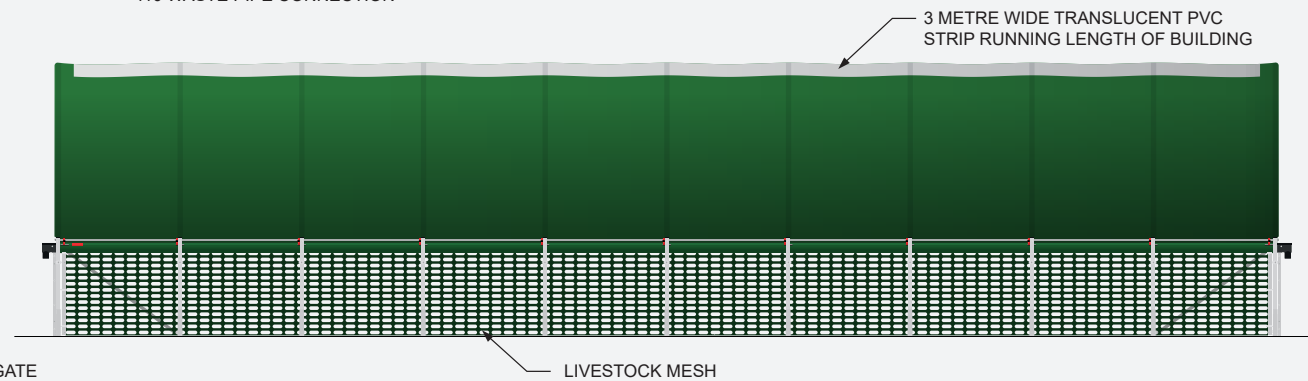
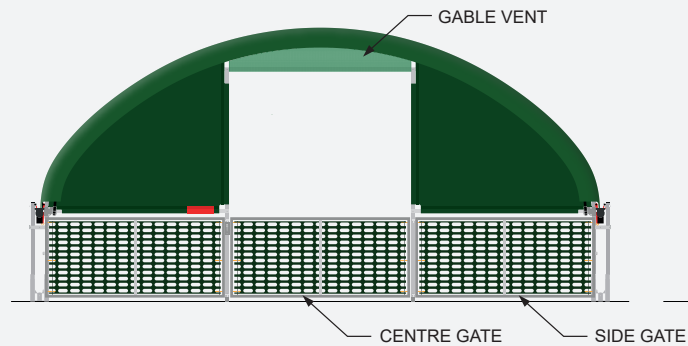
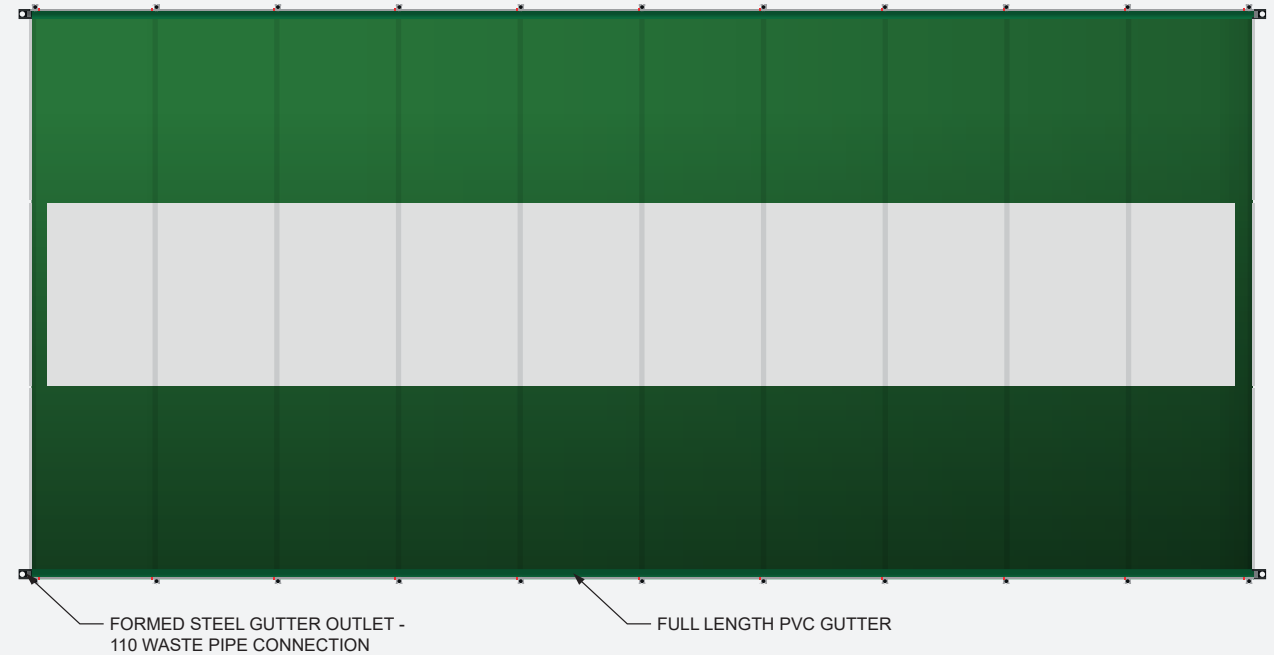
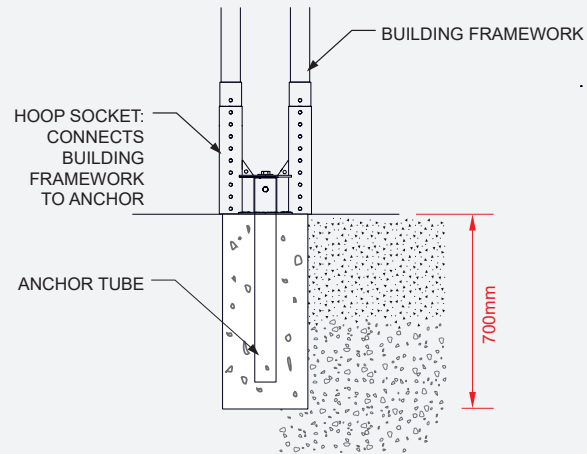


PLAN VIEW

 CONCRETE EMBEDDED ANCHOR -
 POSITIONED AT EVERY HOOP TERMINATION


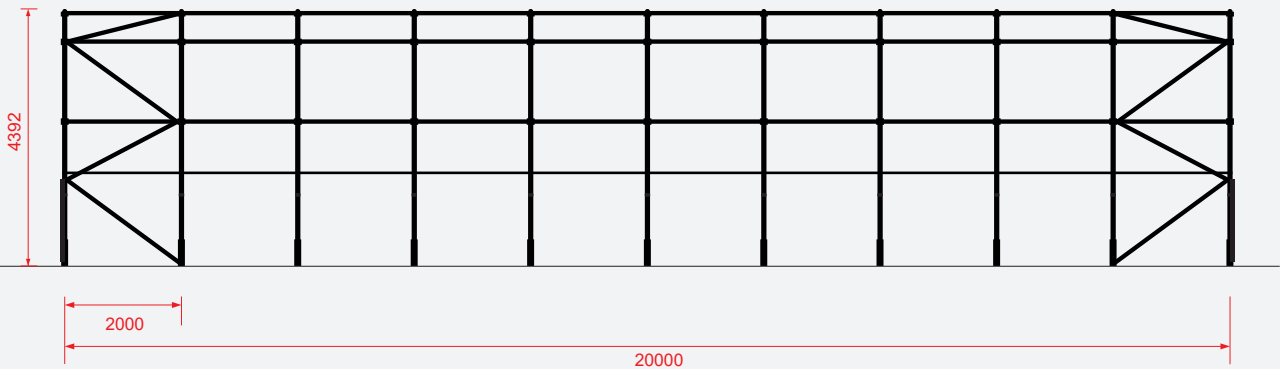
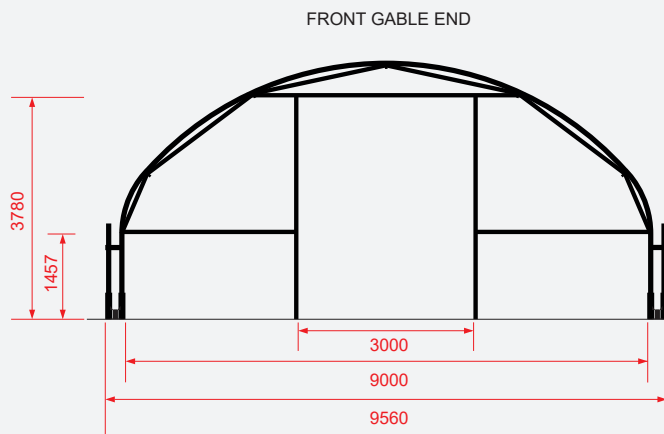
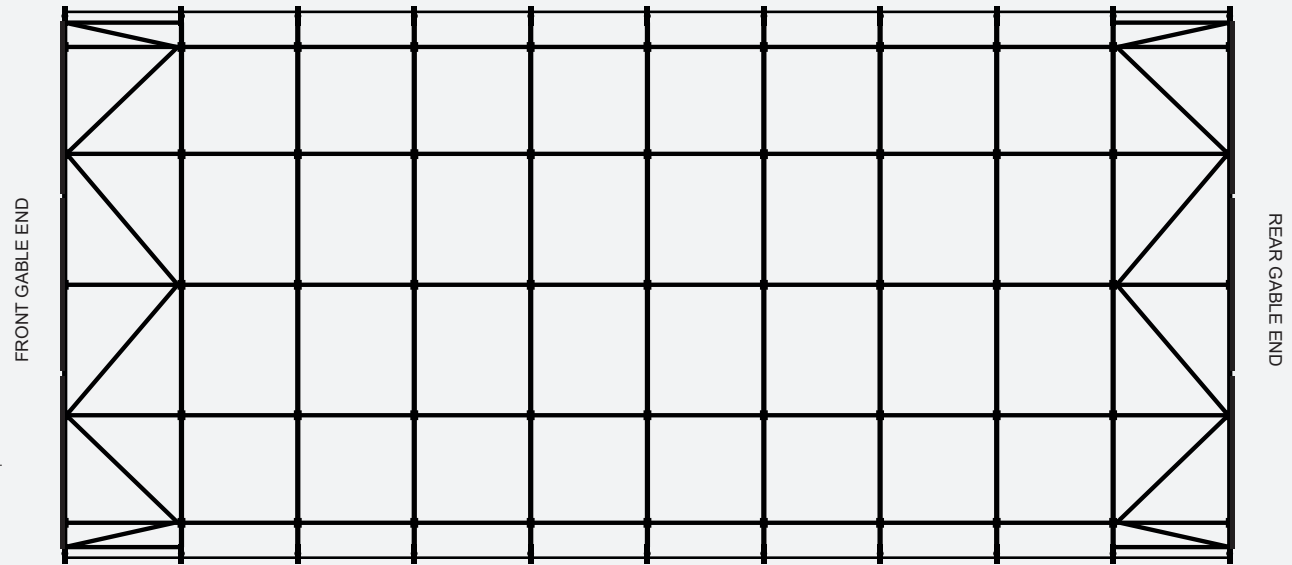
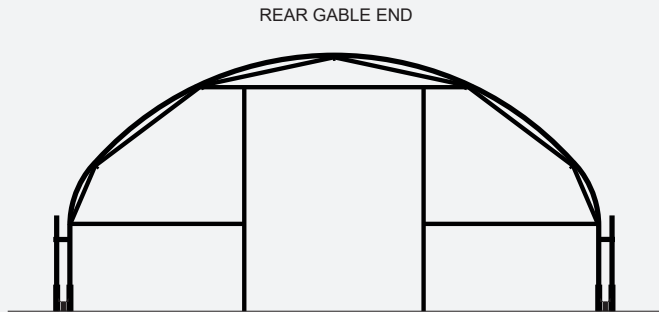
McGregor®

01962 772368
 sales@mcgregorltd.com
 www.mcgregoragri.com

20.0 Metre Agri Span™ AS20-A-2210 Overview & Features

- Roof canopy: 600gm Olive PVC - formed with an integrated, translucent strip.
- Framework: 60.3mm (section), 2mm wall Z35 structural steel.
- Gable-end cross bracing as standard. 5 lines of purlins.
- Structural steel gable-end framework, PVC cladding - including ventilation panels.
- Hinged gable end gates - 3 gates at each gable-end.
- Suspended PVC fabric gutters running to profiled steel outlets.
- Side netting: 1.5 metre high livestock mesh with a 3.5 KN/m breaking strain.
- Side panel fitting kit (Stokbord panels not supplied).

PLAN VIEW



- Roof canopy: 600gm Olive PVC - formed with an integrated, translucent strip.
- Framework: 60.3mm (section), 2mm wall Z35 structural steel.
- Gable-end cross bracing as standard. 5 lines of purlins.
- Structural steel gable-end framework, PVC cladding - including ventilation panels.
- Hinged gable end gates - 3 gates at each gable-end.
- Suspended PVC fabric gutters running to profiled steel outlets.
- Side netting: 1.5 metre high livestock mesh with a 3.5 KN/m breaking strain.
- Side panel fitting kit (Stokbord panels not supplied).