

McGregor®

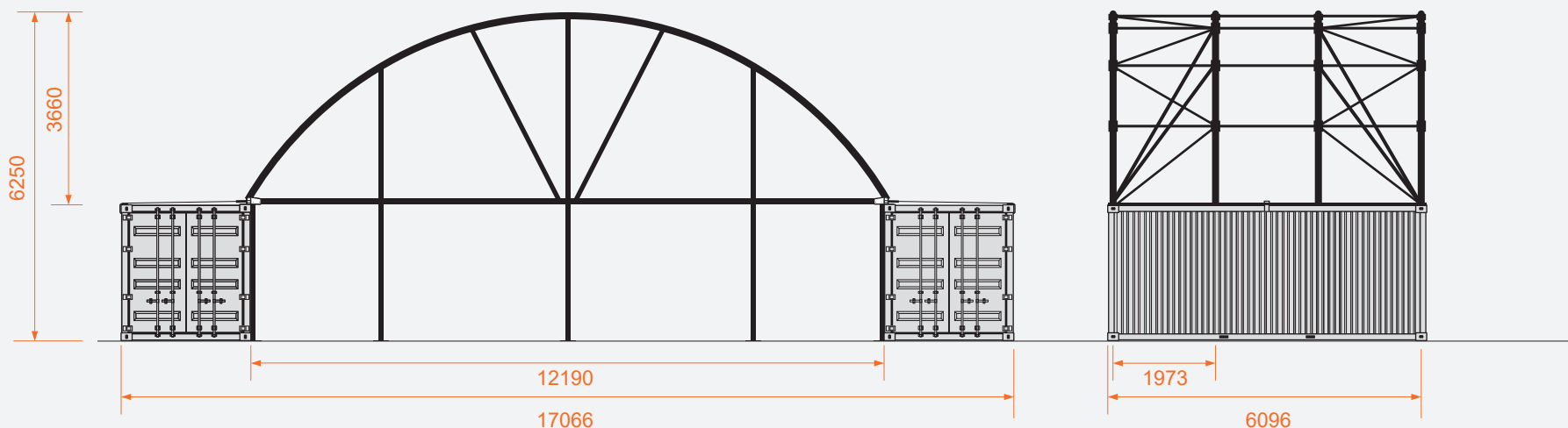
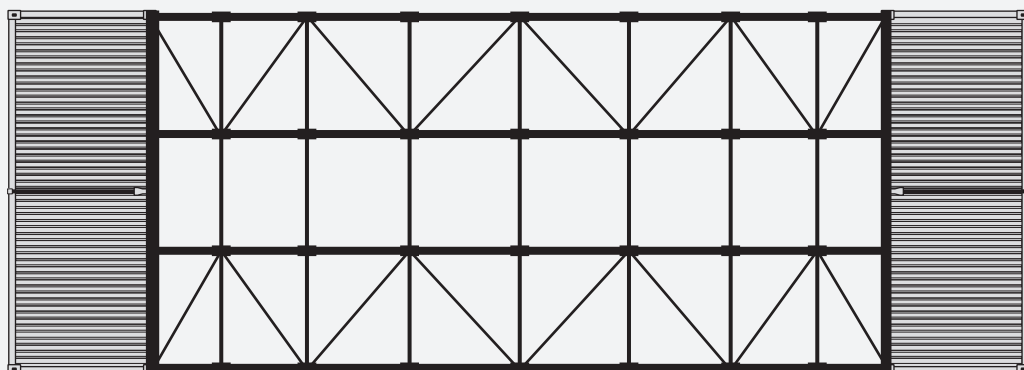
01962 772368
 sales@mcgregorltd.com
 www.fabricstructures.co.uk

12.2 Metre Shield Canopy 40 ft Container

Canopy:
 600gsm PVC Light Grey FR
 Integrated 3.0 metre wide light strip
 Gable end tensioning pockets
 Rear gable wall
 Front gable-D

Structure:
 76.2mm x 2mm CHS Magnatube
 Front and rear gable cross bracing
 Hoop spacing 2.01m
 7 x purlins - running length of structure
 Front and rear gable framework

Fixing:
 Clamping skid
 Rear wall - plated anchors
 Sealing:
 Neoprene sealing strip



McGregor®

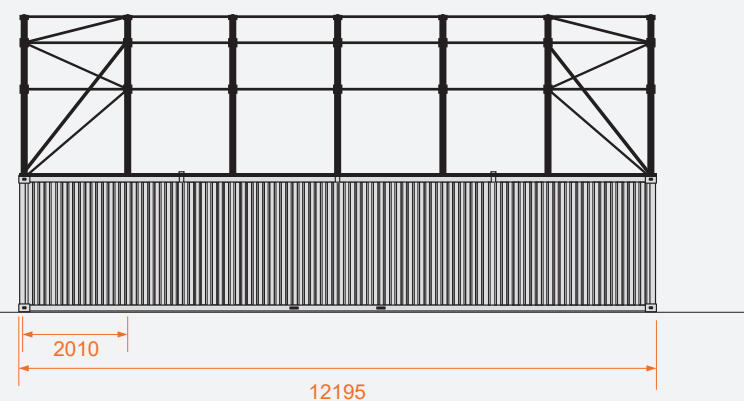
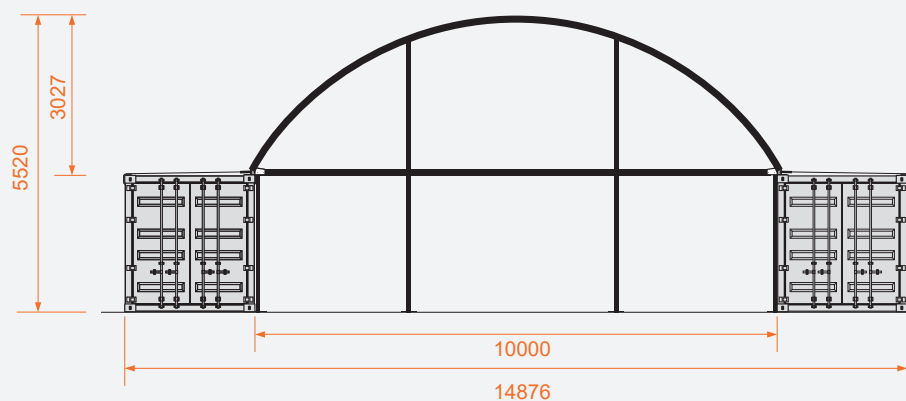
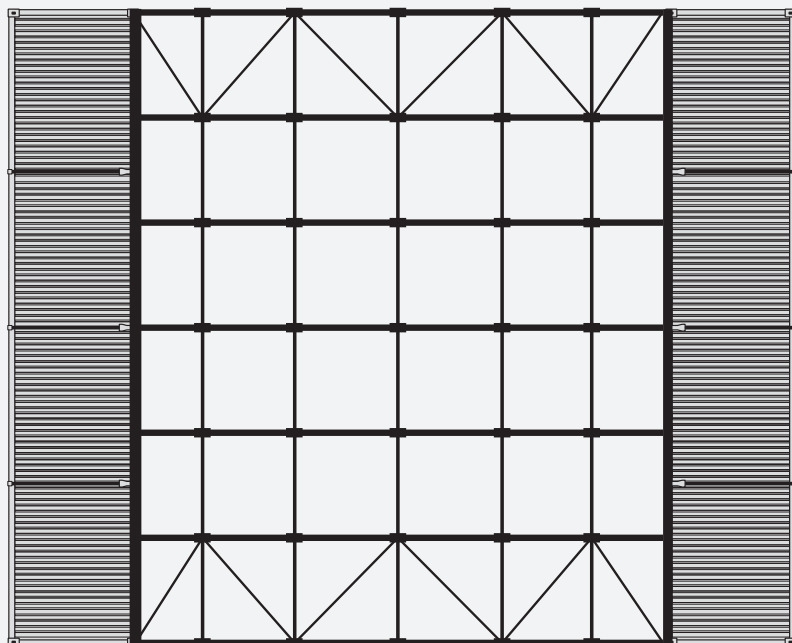
01962 772368
 sales@mcgregorltd.com
 www.fabricstructures.co.uk

12.2 Metre Shield Canopy 20 ft Container

Canopy:
 600gsm PVC Light Grey FR
 Integrated 3.0 metre wide light strip
 Gable end tensioning pockets
 Rear gable wall
 Front gable-D

Structure:
 76.2mm x 2mm CHS Magnatube
 Front and rear gable cross bracing
 Hoop spacing 1.97m
 7 x purlins - running length of structure
 Front and rear gable framework

Fixing:
 Clamping skid
 Rear wall - plated anchors
 Sealing:
 Neoprene sealing strip



McGregor[®]

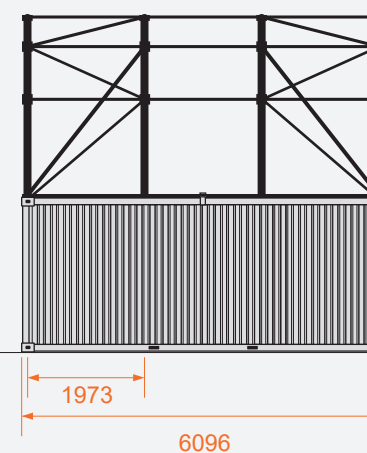
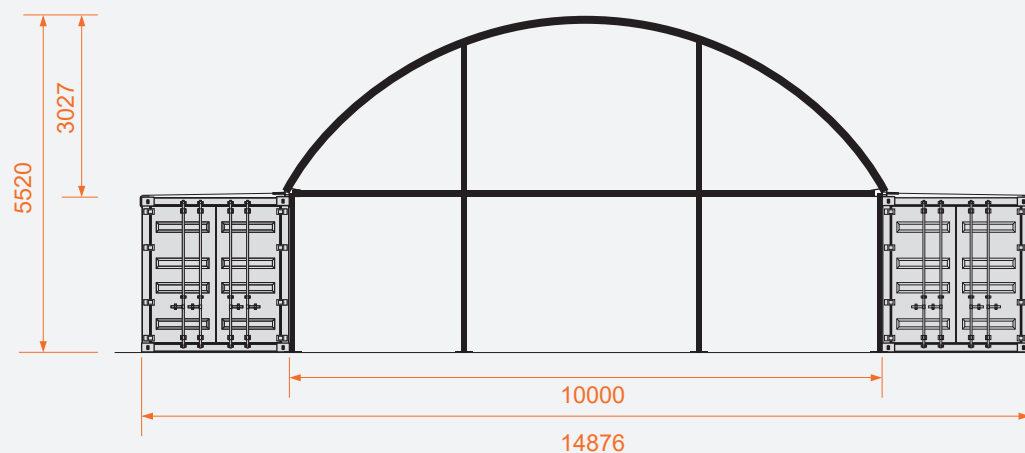
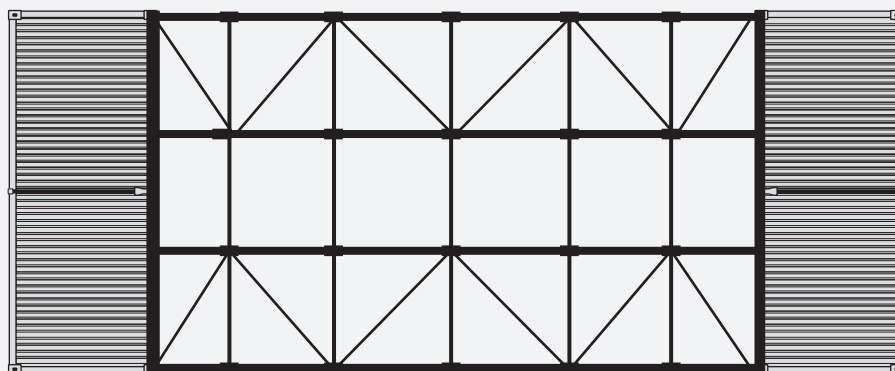
01962 772368
 sales@mcgregorltd.com
 www.fabricstructures.co.uk

10 Metre Shield Canopy
 40 ft Container

Canopy:
 600gsm PVC Light Grey FR
 Integrated 3.0 metre wide light strip
 Gable end tensioning pockets
 Rear gable wall
 Front gable-D

Structure:
 76.2mm x 2mm CHS Magnatube
 Front and rear gable cross bracing
 Hoop spacing 2.01m
 5 x purlins - running length of structure
 Front and rear gable framework

Fixing:
 Clamping skid
 Rear wall - plated anchors
 Sealing:
 Neoprene sealing strip



McGregor®

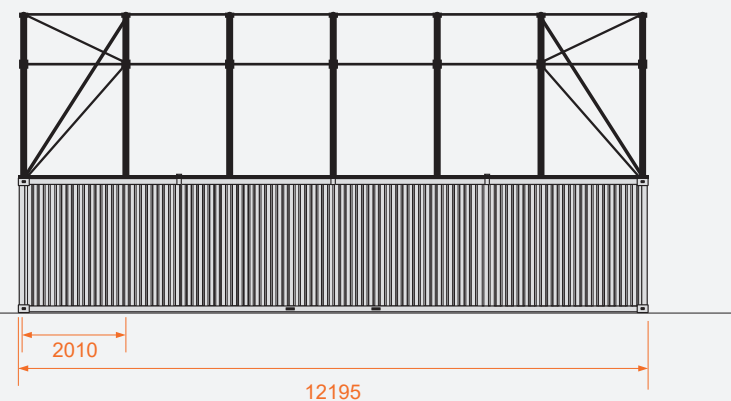
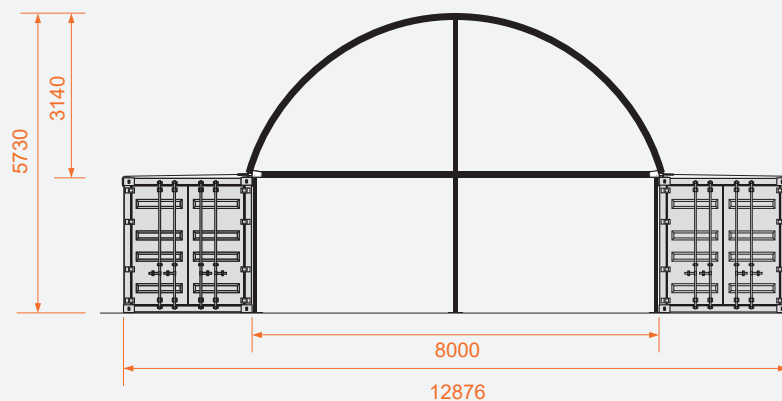
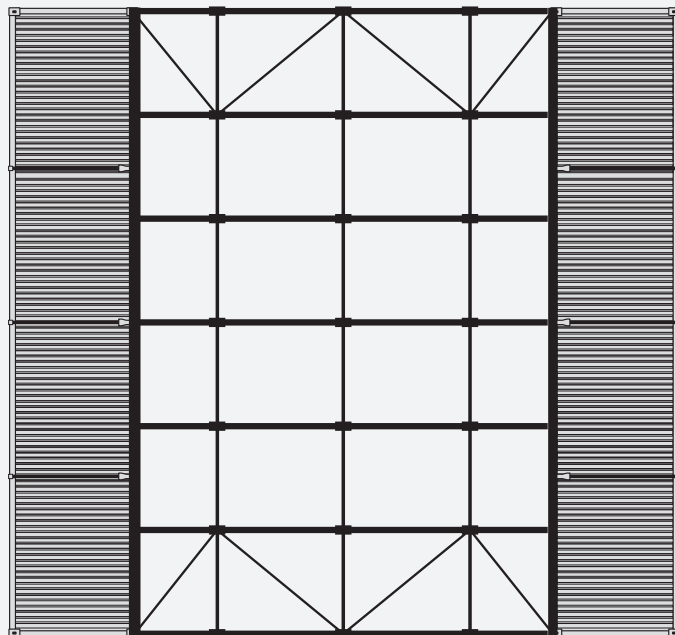
01962 772368
 sales@mcgregorltd.com
 www.fabricstructures.co.uk

10 Metre Shield Canopy
 20 ft Container

Canopy:
 600gsm PVC Light Grey FR
 Integrated 3.0 metre wide light strip
 Gable end tensioning pockets
 Rear gable wall
 Front gable-D

Structure:
 76.2mm x 2mm CHS Magnatube
 Front and rear gable cross bracing
 Hoop spacing 1.97m
 5 x purlins - running length of structure
 Front and rear gable framework

Fixing:
 Clamping skid
 Rear wall - plated anchors
 Sealing:
 Neoprene sealing strip



McGregor®

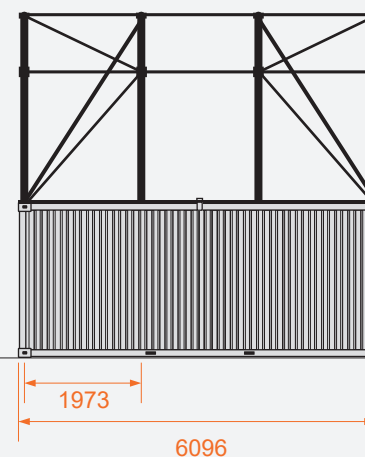
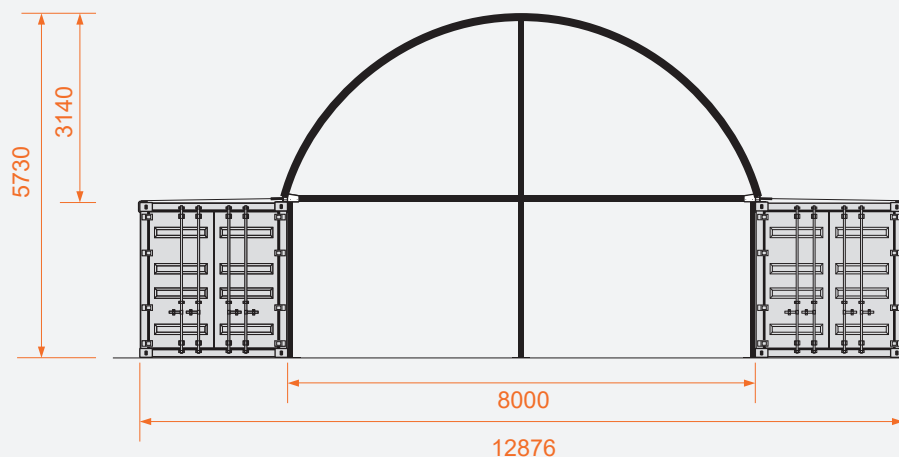
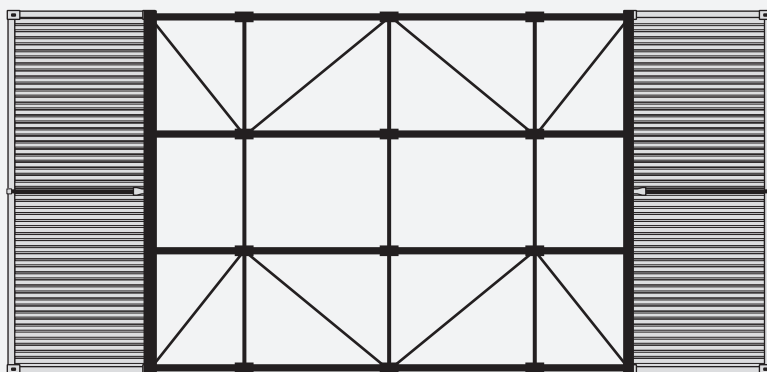
01962 772368
 sales@mcgregorltd.com
 www.fabricstructures.co.uk

8 Metre Shield Canopy
 40 ft Container

Canopy:
 600gsm PVC Light Grey FR
 Integrated 3.0 metre wide light strip
 Gable end tensioning pockets
 Rear gable wall
 Front gable-D

Structure:
 76.2mm x 2mm CHS Magnatube
 Front and rear gable cross bracing
 Hoop spacing 2.01m
 3 x purlins - running length of structure
 Front and rear gable framework

Fixing:
 Clamping skid
 Rear wall - plated anchors
 Sealing:
 Neoprene sealing strip



McGregor[®]

01962 772368
 sales@mcgregorltd.com
 www.fabricstructures.co.uk

8 Metre Shield Canopy
 20 ft Container

Canopy:
 600gsm PVC Light Grey FR
 Integrated 3.0 metre wide light strip
 Gable end tensioning pockets
 Rear gable wall
 Front gable-D

Structure:
 76.2mm x 2mm CHS Magnatube
 Front and rear gable cross bracing
 Hoop spacing 1.97m
 3 x purlins - running length of structure
 Front and rear gable framework

Fixing:
 Clamping skid
 Rear wall - plated anchors
 Sealing:
 Neoprene sealing strip