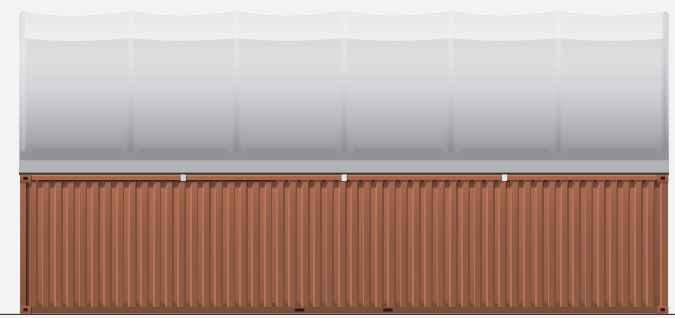
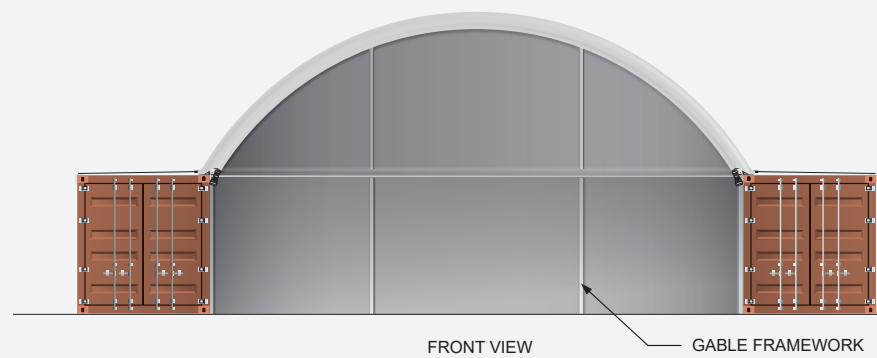
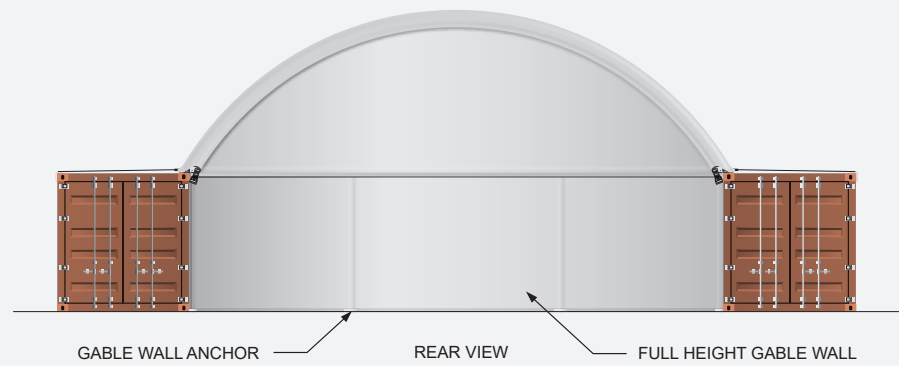
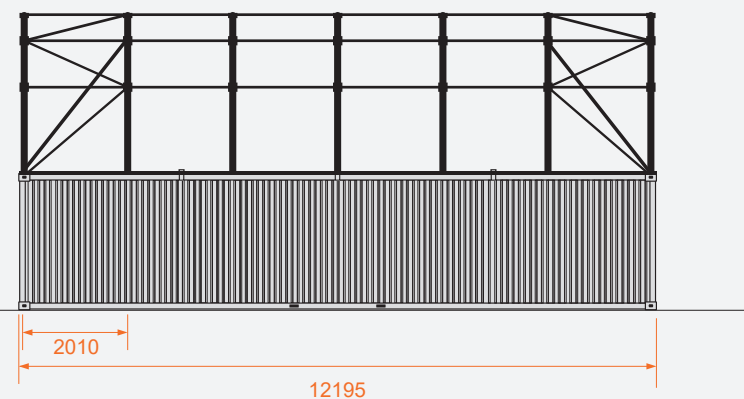
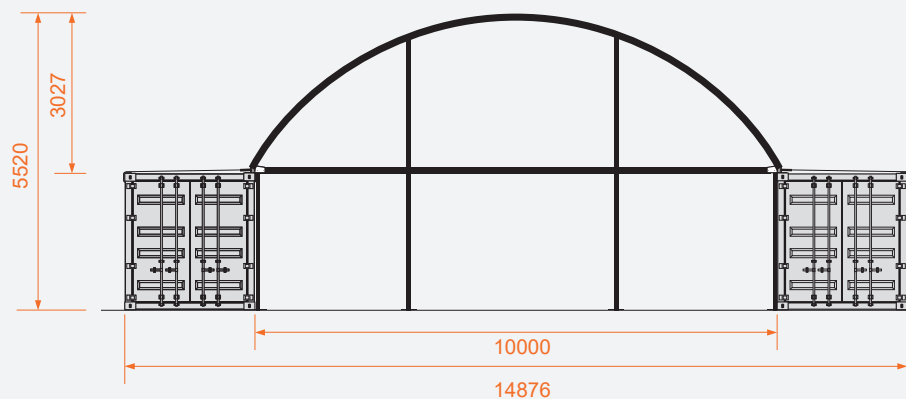
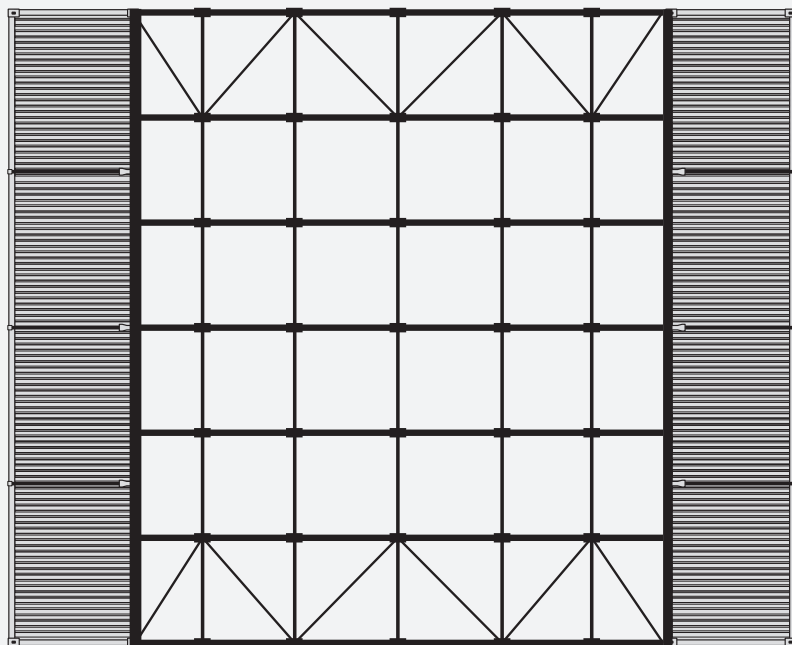


SEALING STRIP

REAR CLAMPING STRAP





**McGregor**®

01962 772368  
 sales@mcgregorltd.com  
 www.mcgregorstructures.com

10 Metre Shield Canopy  
 40 ft Containers

Canopy:  
 600gsm PVC Light Grey FR  
 Integrated 3.0 metre wide light strip  
 Gable end tensioning pockets  
 Rear gable wall

Structure:  
 76.2mm x 2mm CHS Magnatube  
 Front and rear gable cross bracing  
 Hoop spacing 2.01m  
 5 x purlins - running length of structure  
 Rear gable framework

Fixing:  
 Clamping skid  
 Rear wall - plated anchors  
 Sealing:  
 Neoprene sealing strip