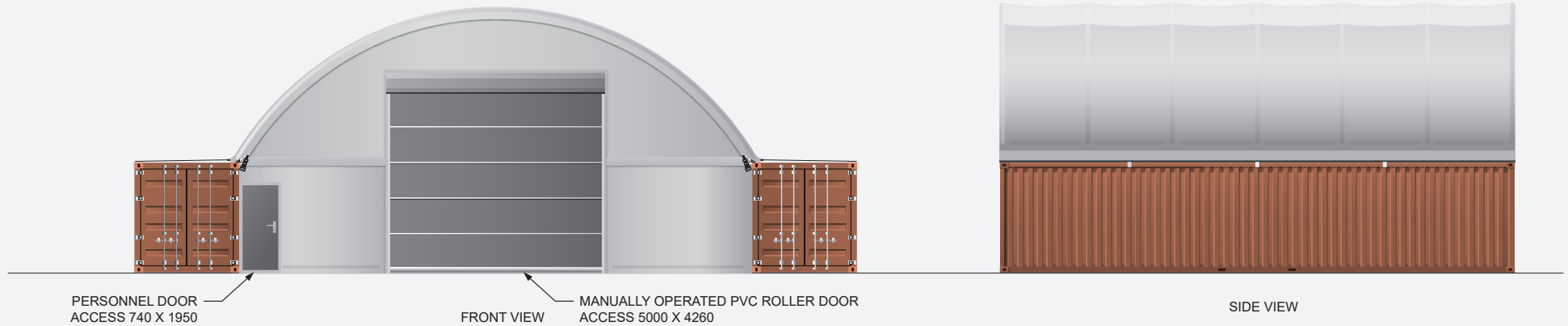
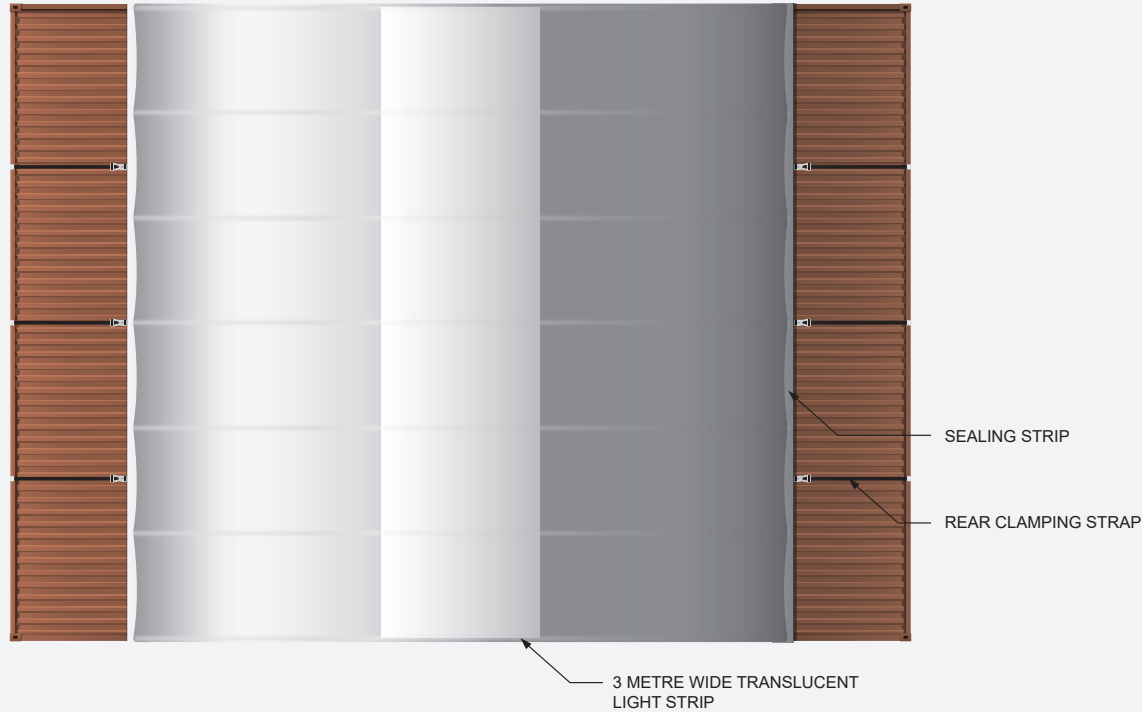


PLAN VIEW



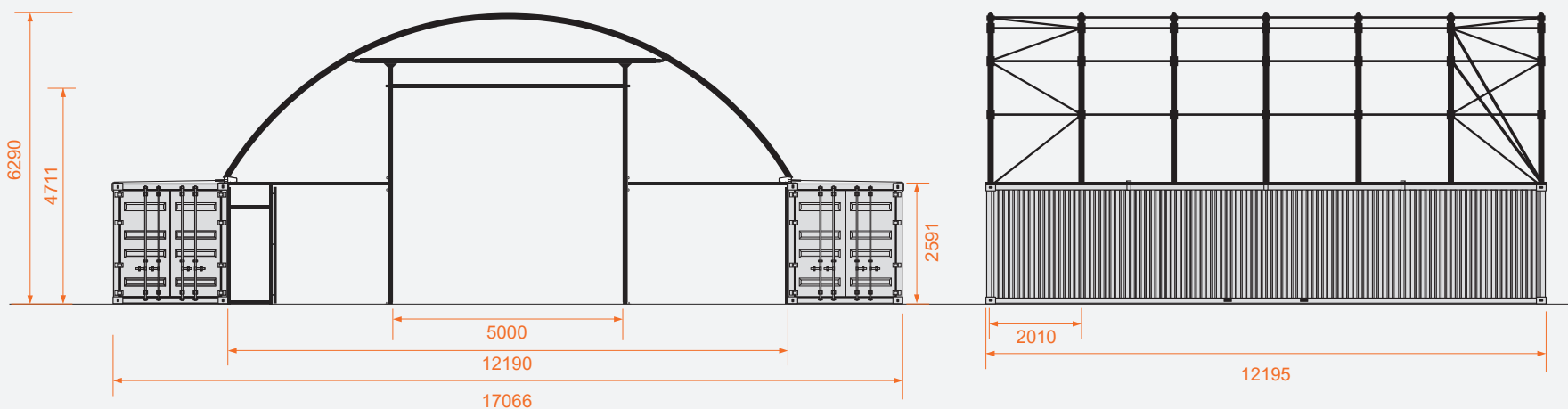
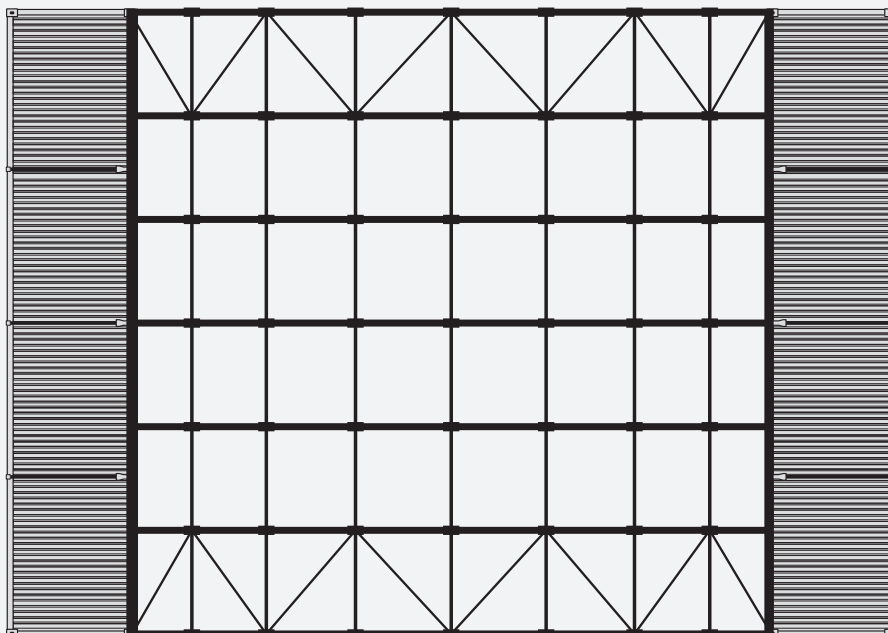
**McGregor**<sup>®</sup>

01962 772368  
sales@mcgregorltd.com  
www.fabricstructures.co.uk

**12.2 Shield Canopy™ SC1240-GA-A Overview & Features**

- Roof canopy: 600gm, Grey PVC - formed with an integrated, translucent strip
- Framework: 76.2mm x 2mm CHS Magnatube
- Gable-end cross bracing. 7 lines of purlins
- Structural steel gable-end framework, PVC cladding

- Manually operated PVC Roller Door, Access: 5m wide x 4.26m high. Grey
- Hinged, steel personnel door. Access: 0.74m wide x 1.95m high. Grey
- Bolt down clamping bar connecting structure to shipping container
- Neoprene sealing strip between structure and container limits water ingress



- Roof canopy: 600gm, Grey PVC - formed with an integrated, translucent strip
- Framework: 76.2mm x 2mm CHS Magnatube
- Gable-end cross bracing. 7 lines of purlins
- Structural steel gable-end framework, PVC cladding

- Manually operated PVC Roller Door, Access: 5m wide x 4.26m high. Grey
- Hinged, steel personnel door. Access: 0.74m wide x 1.95m high. Grey
- Bolt down clamping bar connecting structure to shipping container
- Neoprene sealing strip between structure and container limits water ingress