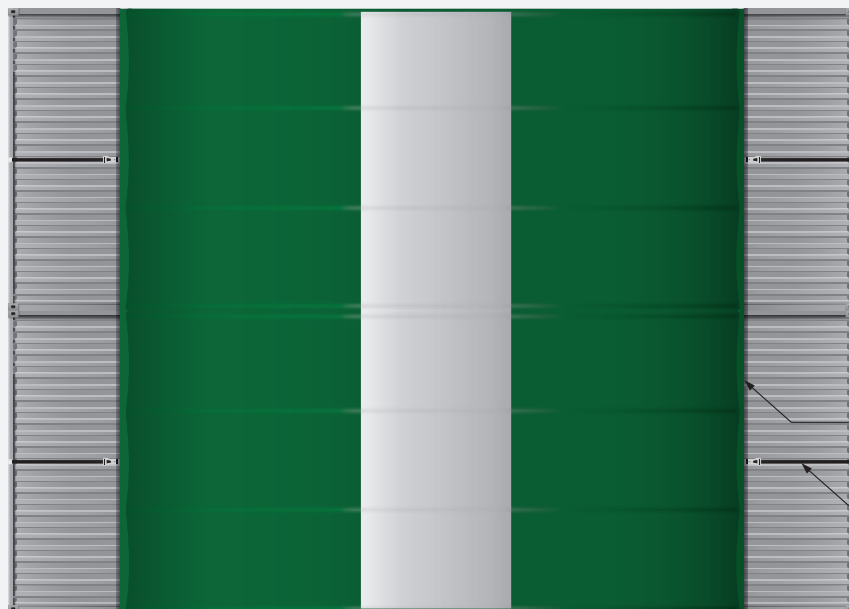


PLAN VIEW

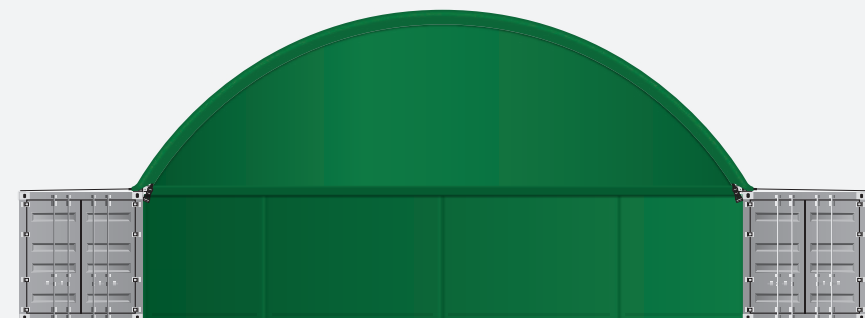


3 METRE WIDE TRANSLUCENT LIGHT STRIP

SEALING STRIP

REAR CLAMPING STRAP

REAR VIEW



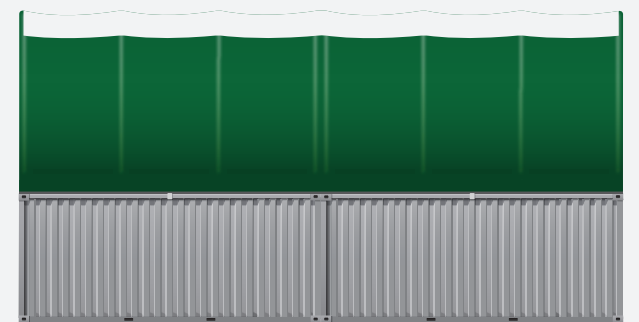
FRONT VIEW



PERSONNEL DOOR
ACCESS 740 X 1950

MANUALLY OPERATED PVC ROLLER DOOR
ACCESS 5000 X 4260

SIDE VIEW



McGregor[®]

01962 772368
sales@mcgregorltd.com
www.fabricstructures.co.uk

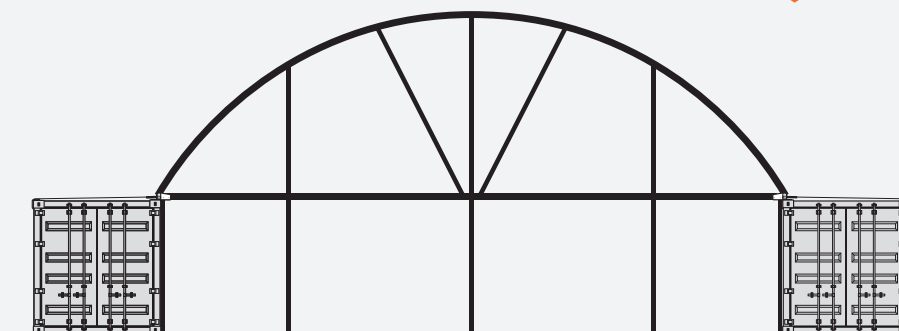
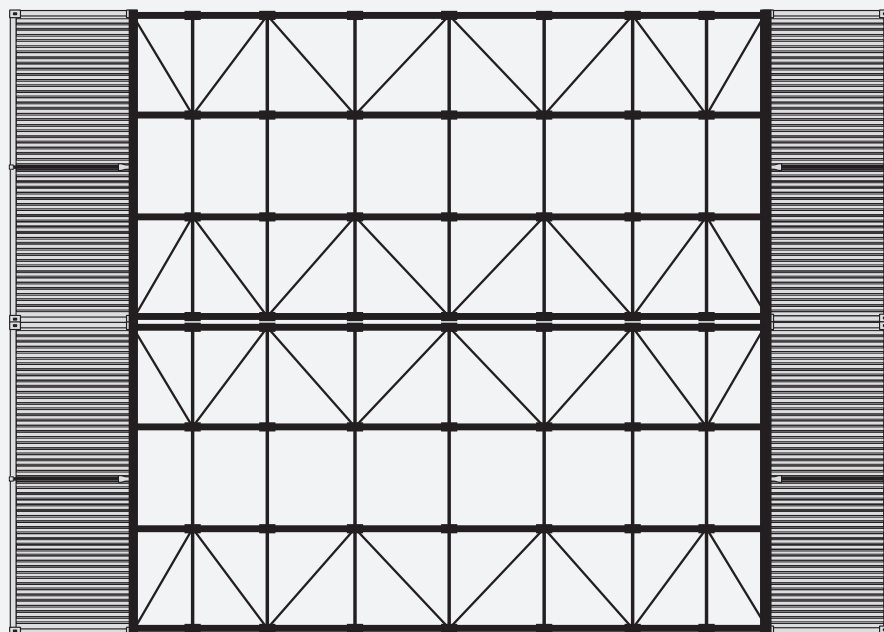
Shield Canopy[™] MS-12

Front gable wall with vehicle
& personnel access.
Full height rear wall.

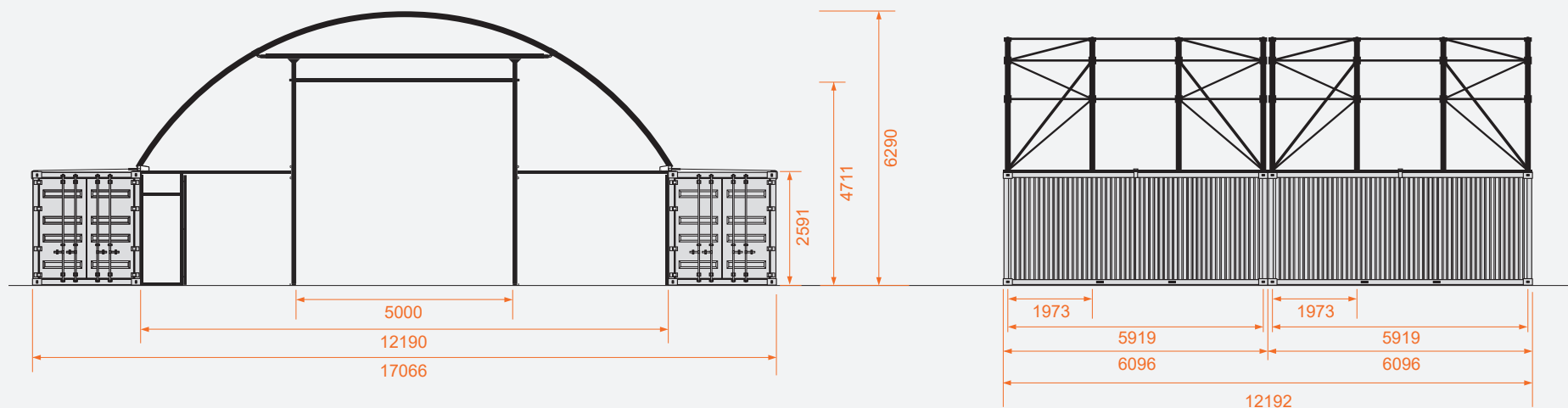
Canopy:
600gsm PVC Olive Green
Integrated 3.0 metre wide light strip
Gable-End tensioning pockets
Gable-End Sheets

Structure:
76.2mm x 2mm CHS Magnatube
Front & rear gable framework
Hoop spacing 1973mm
7 x purlins - running length of structure

Fixing:
Clamping skid
Sealing: Neoprene sealing strip



REAR VIEW



McGregor[®]

01962 772368
 sales@mcgregorltd.com
 www.fabricstructures.co.uk

Shield Canopy[™] MS-12

Front gable wall with vehicle
 & personnel access.
 Full height rear wall.

Canopy:
 600gsm PVC Olive Green
 Integrated 3.0 metre wide light strip
 Gable-End tensioning pockets
 Gable-End Sheets

Structure:
 76.2mm x 2mm CHS Magnatube
 Front & rear gable framework
 Hoop spacing 1973mm
 7 x purlins - running length of structure

Fixing:
 Clamping skid
 Sealing: Neoprene sealing strip