

3 METRE WIDE TRANSLUCENT LIGHT STRIP

SEALING STRIP
REAR CLAMPING STRAP

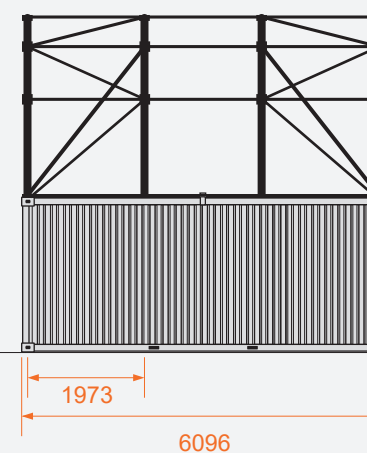
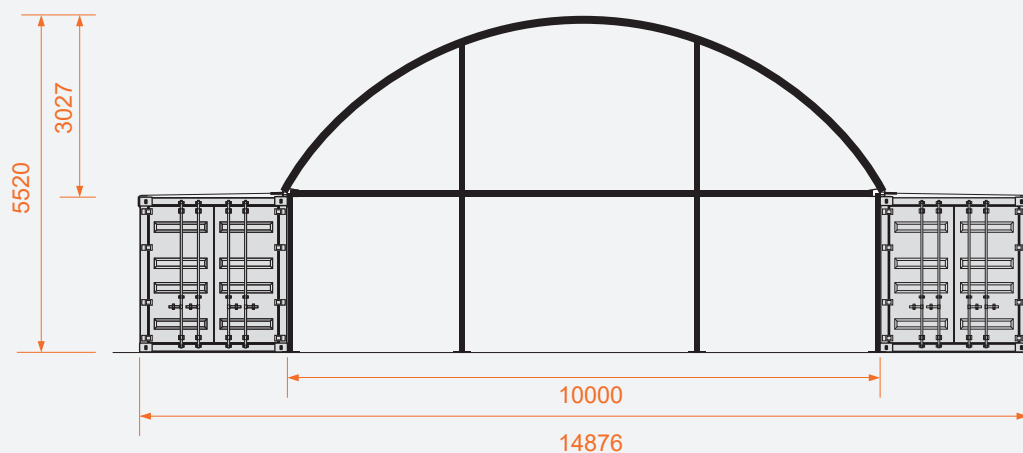
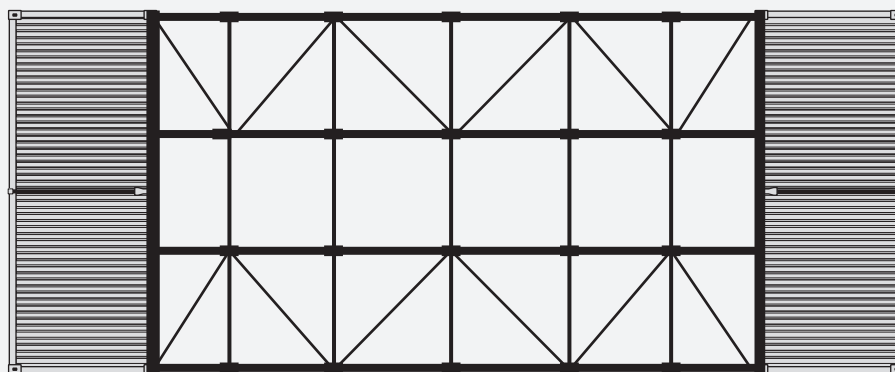


GABLE WALL ANCHOR REAR VIEW FULL HEIGHT GABLE WALL



FRONT VIEW GABLE FRAMEWORK





McGregor®

01962 772368
 sales@mcgregorltd.com
 www.mcgregorstructures.com

10 Metre Shield Canopy
 20 ft Containers

Canopy:
 600gsm PVC Light Grey FR
 Integrated 3.0 metre wide light strip
 Gable end tensioning pockets
 Rear gable wall

Structure:
 76.2mm x 2mm CHS Magnatube
 Front and rear gable cross bracing
 Hoop spacing 1.97m
 5 x purlins - running length of structure
 Rear gable framework

Fixing:
 Clamping skid
 Rear wall - plated anchors
 Sealing:
 Neoprene sealing strip